

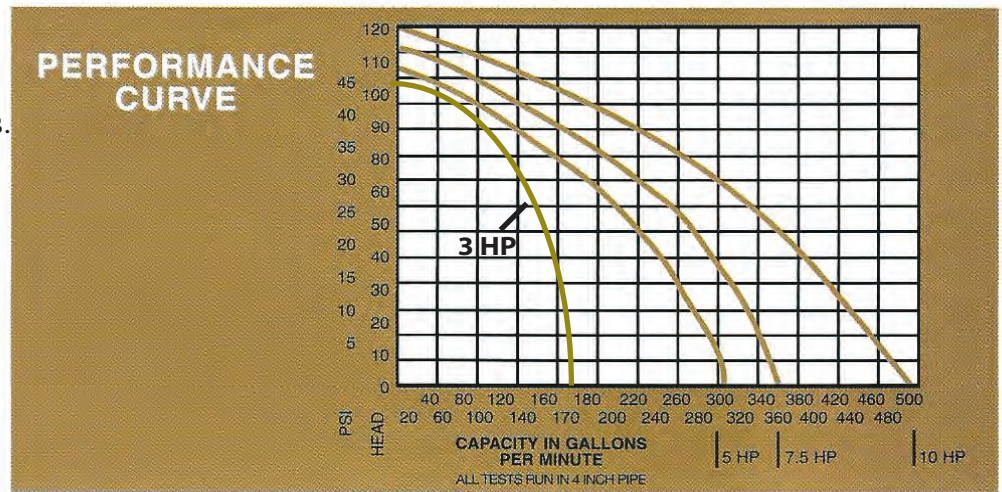
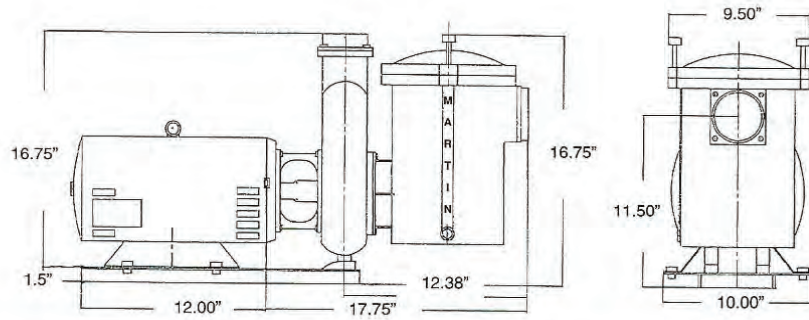
MARTIN 500 SERIES BRONZE PUMP

Introducing a revolutionary new pump guaranteed virtually maintenance-free and easy to install!

The Martin 500 Series Bronze pump is produced from a special bronze alloy. This pump is designed for pools, spas, and fountains.

The Martin 500 Series pump is equipped with an 8" trap and a stainless steel basket to capture debris. The trap allows the pump's self-priming feature to operate. The 500 Series Pump design maximizes:

- *performance*
- *durability*
- *resistance to chemicals*
- *resistance to corrosion*
- *reliability*
- *flow rate*
- *quiet operation*



Model Number	HP	Inlet	Outlet	Voltage
MB-5005	5	3"	3"	208-230/460/3ph/60HZ
MB-5007	7.5	3"	3"	208-230/460/3ph/60HZ
MB-50010	10	3"	3"	208-230/460/3ph/60HZ

*50 HZ and other voltages available on request

LIQUID END PUMP AND MOTOR CAN BE SOLD SEPARATELY!

MOTOR FEATURES

- **Self-Priming Design**
for quiet, dependable performance
- **T-Handles**
for easy strainer cover removal
- **Mechanical Seal**
self-lubricating carbon/ceramic designed for long life
- **Cycle/Phase/Voltages**
available as special order
- **Electric Motor**
nationally known brand for continuous heavy-duty operation
- **Deep Volute**
for maximum hydraulic performance
- **Open Face Impeller**
non-clogging and self-cleaning
- **Oversized Strainer pot**
large capacity S/S basket for longer cleaning intervals
- **Flanged Ports**
3" intake and 3" discharge with NPT pipe connection allowing pump removal without disturbing plumbing.



20731 Centre Pointe Pkwy
 Santa Clarita, CA 91350
 Phone: 1-800-798-5123
 Fax: 1-661-252-0117
 Info@Val-PakProducts.com